



Keswick Collection

Extra Flex[®]
Soft, Supportive Seating

Colours represented are to be used as a guide only.
Please refer to manufacturers swatch for a more accurate colour match.

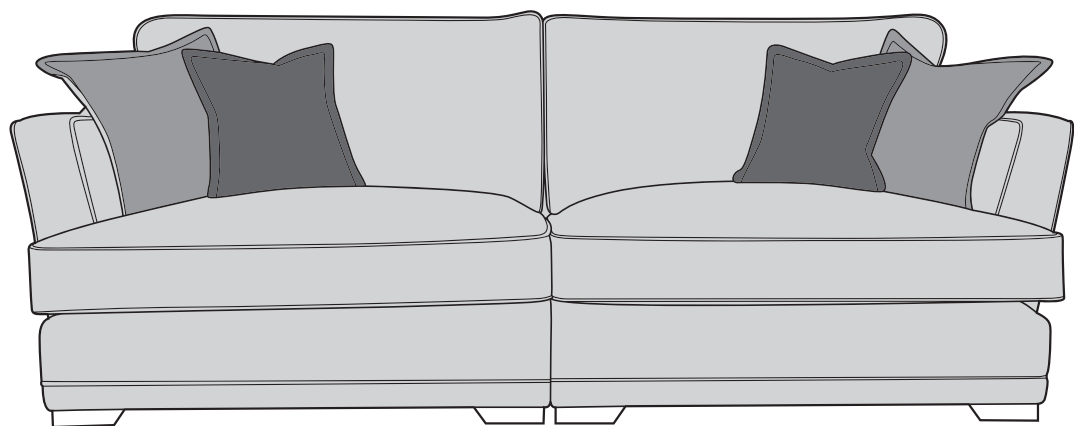
Please note that colour shadings can vary slightly from each roll of fabric.
We cannot guarantee a precise match to these samples or between cut lengths and upholstered goods.

25/01/2021

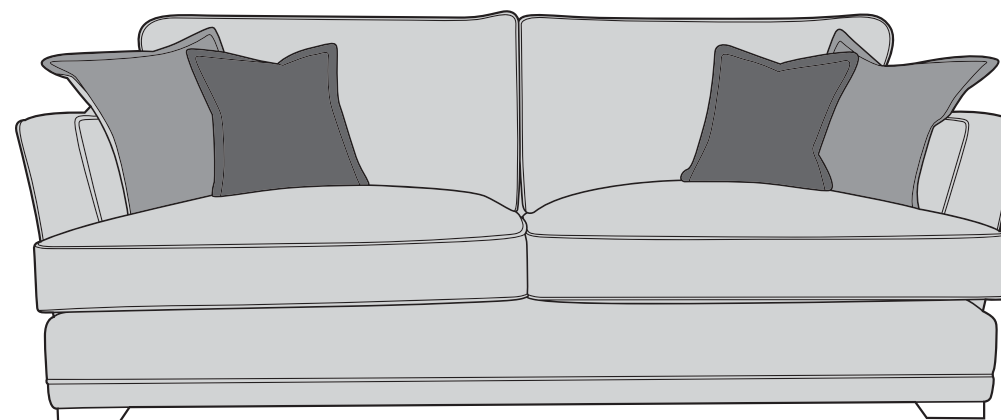
KESWICK GUIDE: STANDARD BACK ONLY

Please use this guide when ordering the following pieces to clarify cover options.

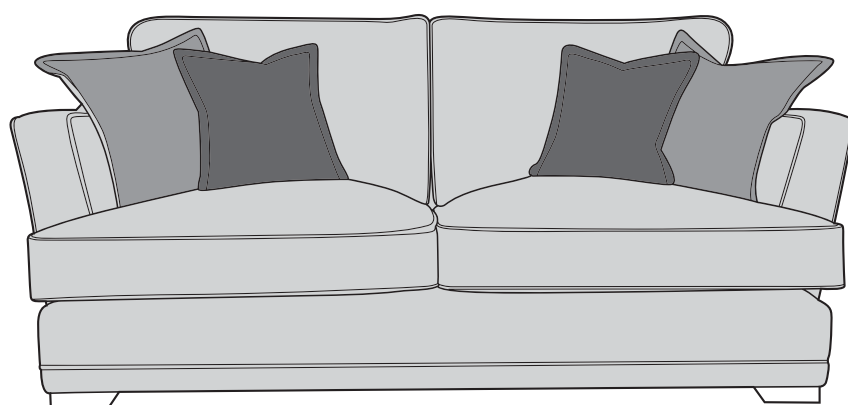
4 Seater Modular Sofa (4MD)



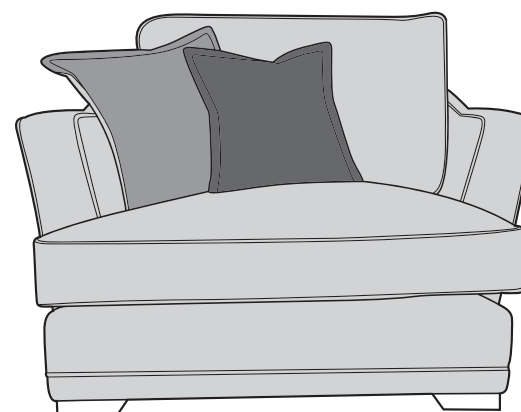
3 Seater Sofa (3ST)

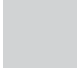




2 Seater Sofa (2ST)



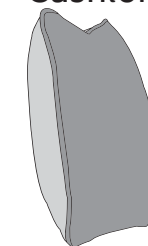
Love Chair (LOV)



-  **COVER 1**
(BODY)
-  **COVER 2**
(SCATTER)
-  **COVER 3**
(SCATTER)

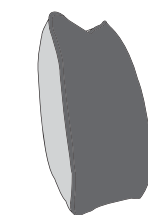
Scatter Cushions

Large Scatter Cushion



Flanged Edge
Front = Cover 2
Back = Cover 1

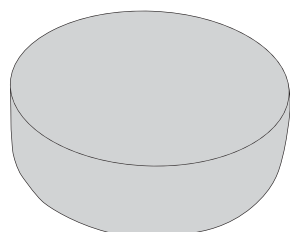
Small Scatter Cushion



Flanged Edge
Front = Cover 3
Back = Cover 1

SUGGESTED ACCENT PIECES

Round Footstool (FST)



KESWICK DIMENSIONS (CM)

AVAILABLE PIECES	HEIGHT 1	OUTBACK HEIGHT	WIDTH 2	DEPTH 3	ARM HEIGHT	SEAT HEIGHT 4	SEAT DEPTH (STD) 5	SEAT WIDTH 6	ACCESS DIAGONAL 7	WEIGHT (KG)	SCATTER CUSHIONS
4 SEATER MODULAR SOFA (4MD)	89	73	244	103	73	50	63	205	257	79	4
3 SEATER SOFA (3ST)	89	73	204	103	73	50	63	163	223	60.5	4
2 SEATER SOFA (2ST)	89	73	177	103	73	50	63	137	195	57.5	4
LOVE CHAIR (LOV)	89	73	144	103	73	50	63	102	165	46.5	2
ACCENT PIECES											
ROUND FOOTSTOOL (FST)	33	N/A	97	97	N/A	N/A	N/A	N/A	N/A	22	N/A

* Hardwood & composite board frame.

* Dowelled, screwed, glued & stapled joinery.

* Antique & Mid Oak Foot options.

* Fibre filled reversible backs for added comfort.

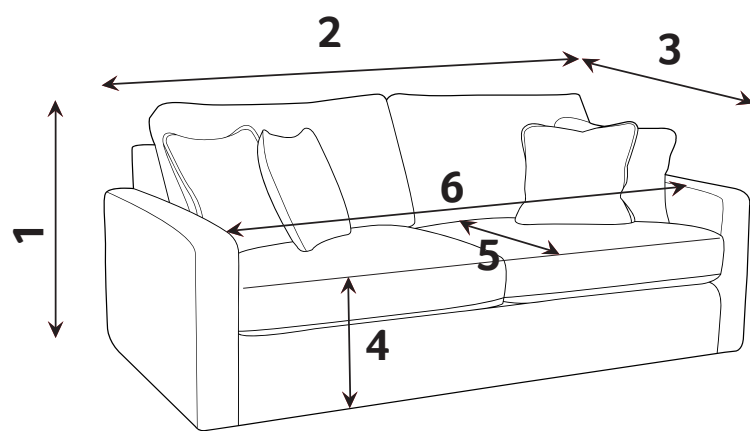
* Feather filled scatters included

* ExtraFlex high comfort seat cushions.

* Serpentine seat springs & silent wire.

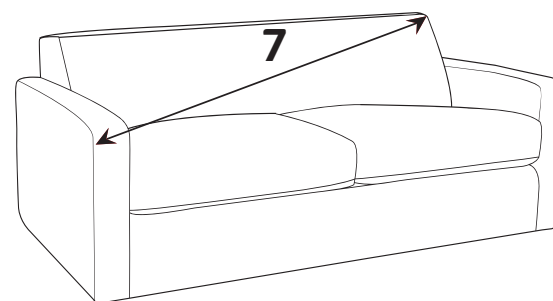
* Elasticated back webbing.

DIMENSION GUIDE



1 - HEIGHT 3 - DEPTH 5 - SEAT DEPTH (STD & PILLOW) 7 - DIAGONAL ACCESS
 2 - WIDTH 4 - SEAT HEIGHT 6 - SEAT WIDTH

Check the diagonal access dimension to ensure furniture will fit in your home.



Illustrations used for reference only.

Extra Flex®

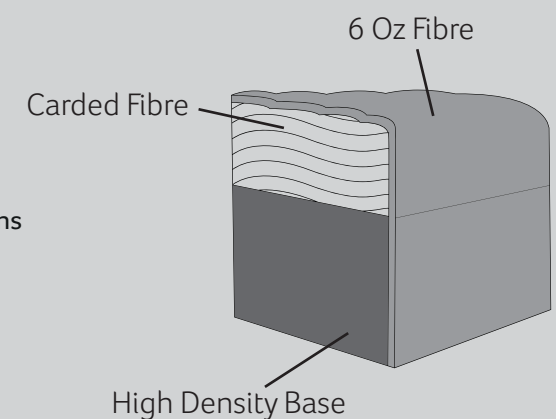
A high density foam base seat interior with a hand-rolled carded fibre, channelled topper which provides both softness and support.

CARE GUIDE

Extraflex seat cushions should be **plumped up on a regular basis** to help maintain the aesthetic appeal of your upholstery, the plumping of cushions is essential to help retain the comfort and softness of any piece of upholstered furniture.

To improve the longevity of your hand-made furniture, we recommend rotating cushions (where applicable).

For further information on maintaining your furniture please refer to the care guide located under the seat platform.



Mid Oak

Antique

FOOT OPTIONS:

